

Cree LED HB SMD LED Product Change Notification

Customer Name: All HB SMD Customers

PCN Reference Number:

CreeLED-PCN-5298

Date Issued:

March 9, 2022

Please be advised that Cree LED qualified a Minor change to HB SMD LEDs and that we will begin shipping the affected product with the change on the PCN Issue Date.

Please review the additional PCN information below.

Affected Product

Table 1 provides a list of products affected by this Minor change:

Table 1 Affected Products List

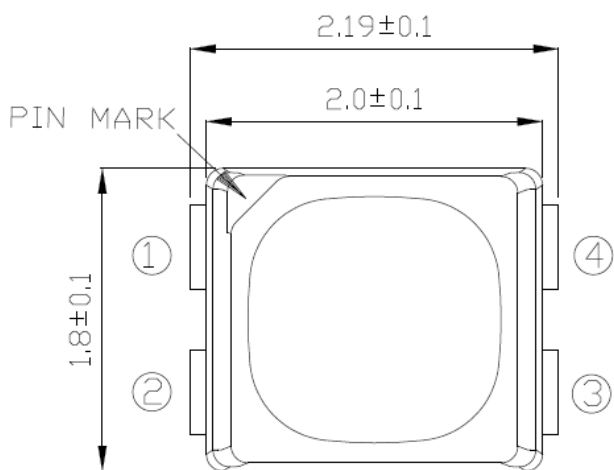
Cree LED Part Number
CLMXB-FKC-xxxxxxx

Description of the Change

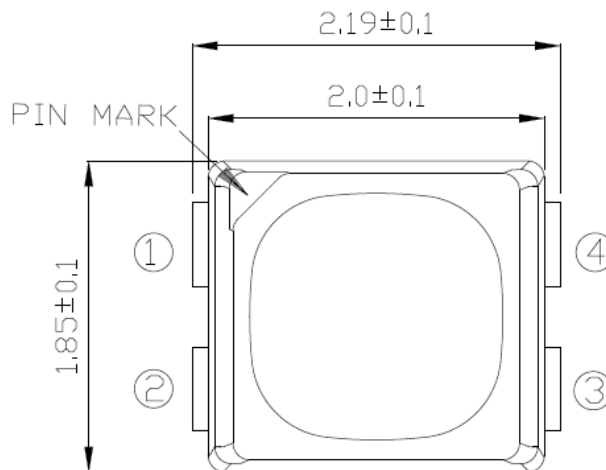
The specification of the above product series has changed. The correction of the product height dimensions are marked, but the actual product height is not changed. Please refer to the latest data sheets on www.cree-led.com.

The drawing of the CLMXB-FKC LED is revised as follows:

Current:



New:



Reason for the Change

Update the data sheet to correct a dimension based on actual process result.

Change Impact on Form, Fit, Function, or Reliability

This change has no impact on the function or reliability of the LEDs. We will begin shipping the affected product with the change 30 days after the PCN Issue Date. No customer action is required. This product change affects neither the order codes nor the bin codes.

Key Dates

Table 2 provides estimated dates for key PCN Milestones based on information available at the date the PCN was issued. Any updates to these dates can be provided by the Cree LED contact listed in Table 3.

Table 2 Key PCN Estimated Dates

Proposed First Ship Date:	Issue Date
----------------------------------	------------

Cree LED Contact Information

If you have any questions regarding this PCN please contact:

Table 3 PCN Contact

Contact:	Sam Lai
Contact E-Mail:	Sam.Lai@cree-led.com
Contact Phone:	+852 2424-8228
Address:	6th Floor, Green 18 18 Science Park East Avenue Hong Kong Science Park, Shatin, New Territories Hong Kong